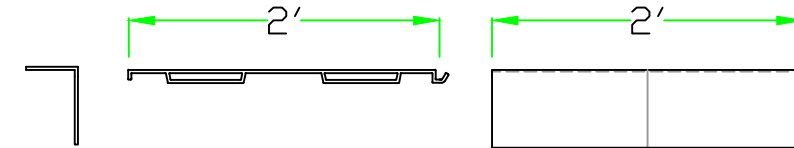


PLAN

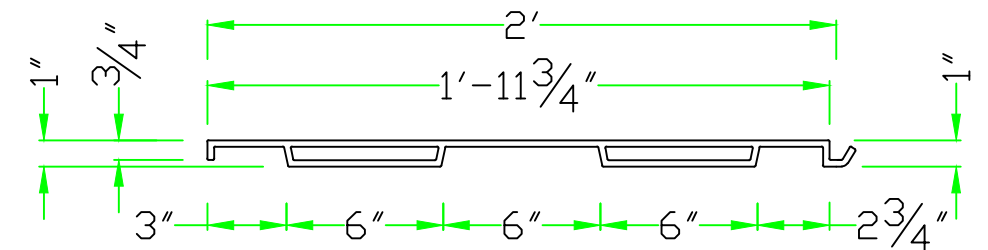
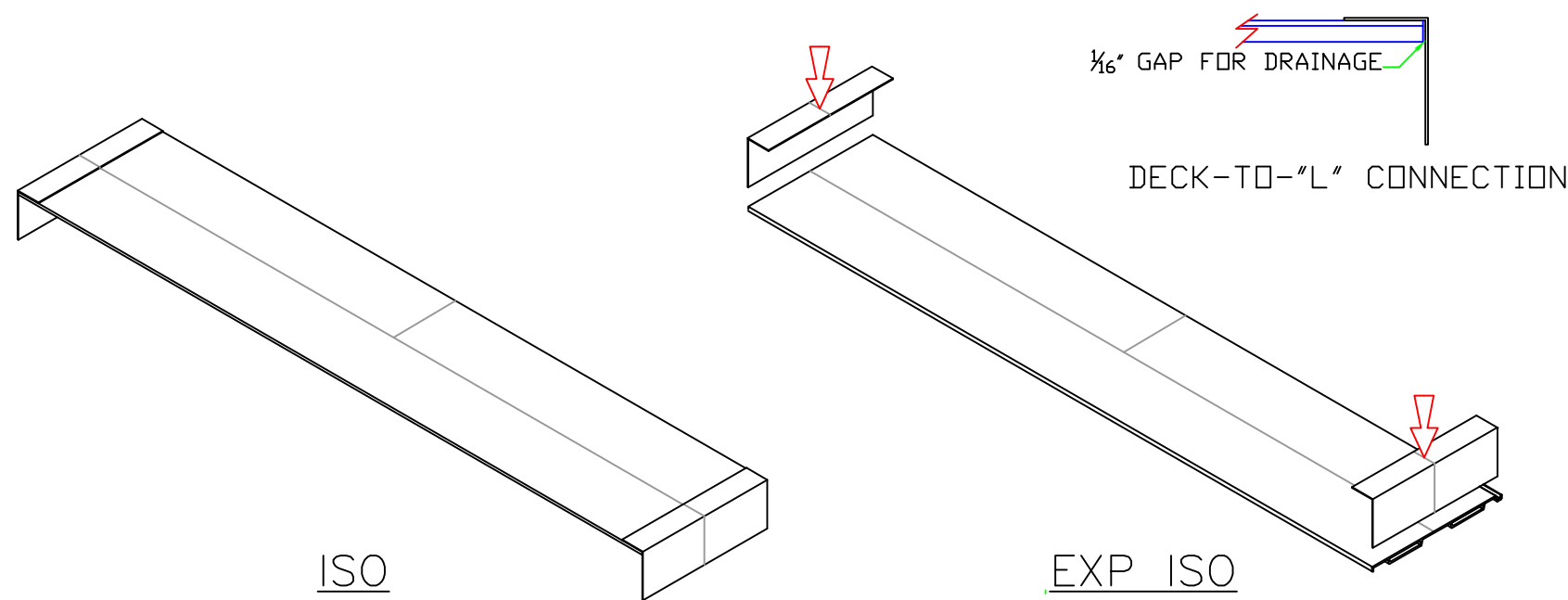
#5 - 10'X2' PANEL
 #5 PAIRS - 6X4X1/4 ANGLE



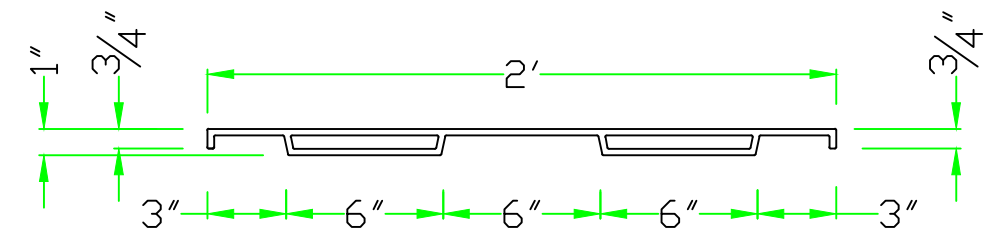
ELEVATION



SIDE ELEV.



TYP. PANEL



END PANEL

PANEL SIDE ELEV.



BRIDGE RENEWAL SAMPLE

85 PSF ULL, 10000 LB VLL

DRAWN BY:
RM

DATE:
09 AUG 2017

SCALE:
NTS

10 X 10

ISSUE

—